

DESCRIPTION

The HX-7B-WP is a 2-way compact speaker system that permits both constant directivity control over a wide frequency range and changes in vertical directivity. Its adopted wave front control technology is ideal for reproducing clear sound in spaces with long reverberation times or high background noise. The speaker is designed to be installed under the eaves when used outdoors.

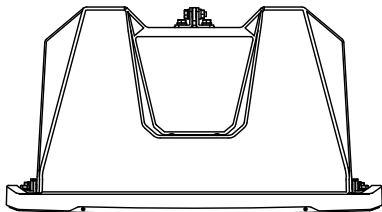
SPECIFICATIONS

Enclosure	Sealed type
Power Handling Capacity	Continuous pink noise: 250 W (IEC60268-5: 350 W) Continuous program: 750 W
Rated Impedance	8 Ω
Sensitivity	100 dB (1 W, 1 m)
Frequency Response	105 Hz - 20 kHz
Crossover Frequency	1.7 kHz
Directivity Angle	Horizontal: 100° Vertical: Depending on directivity angle mode
Speaker Component	Low frequency: 13 cm (5.5") cone-type × 8 High frequency: Wave front control horn with compression driver × 4
Input Terminal	M4 screw terminal, distance between barriers: 9 mm (0.35")
Water Protection	IPX4 (Install with every speaker module tilted downward from the horizontal.)
Finish	Enclosure: Polypropylene, black Punched net: Surface-treated steel plate, black, rust proof coating
Dimensions	497 (W) × 664 (H) × 274 (D) mm (19.57" × 26.14" × 10.79")
Weight	30 kg (66.14 lb)
Accessory	Terminal cover ×1, Terminal cover mounting screw ×4, Rubber packing ×1
Option	Matching transformer: MT-200* Matching transformer adapter: HY-MT7 Speaker mounting bracket: HY-TM7B-WP, HY-MS7B-WP, HY-60DB-WP, HY-CN7B-WP

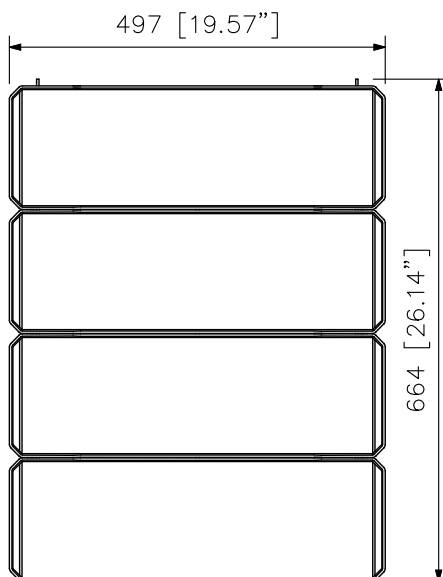
* When mounting the MT-200 Matching Transformer to the speaker, an optional HY-MT7 Matching Transformer Adapter is required.

Note: Every speaker module must be aimed horizontally or down to keep the weather resistant capability.

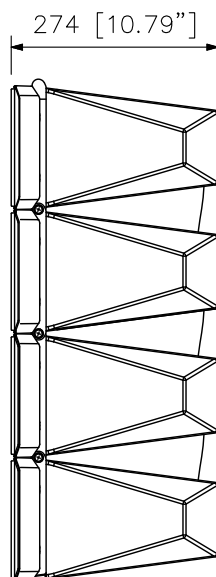
APPEARANCE (Factory-preset: 0° mode)



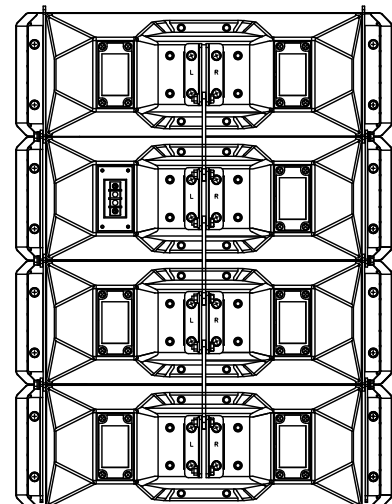
Top View



Front View



Side View

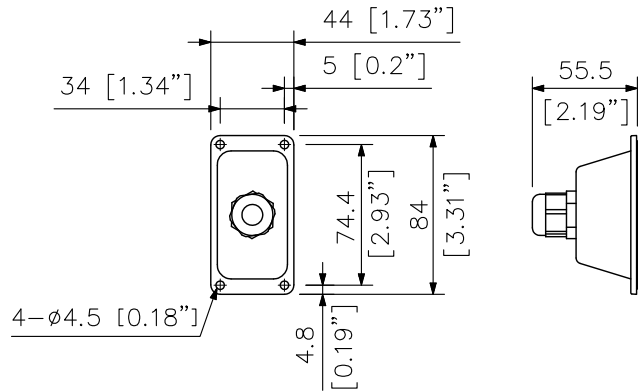
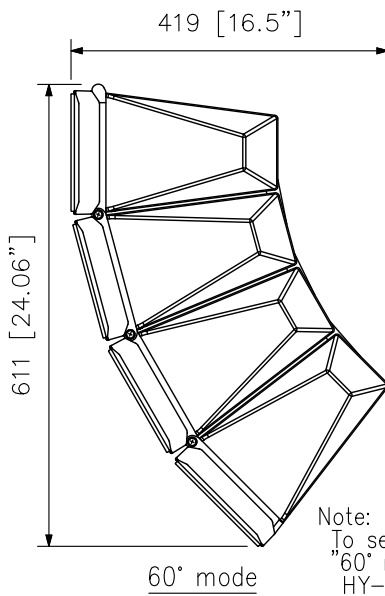
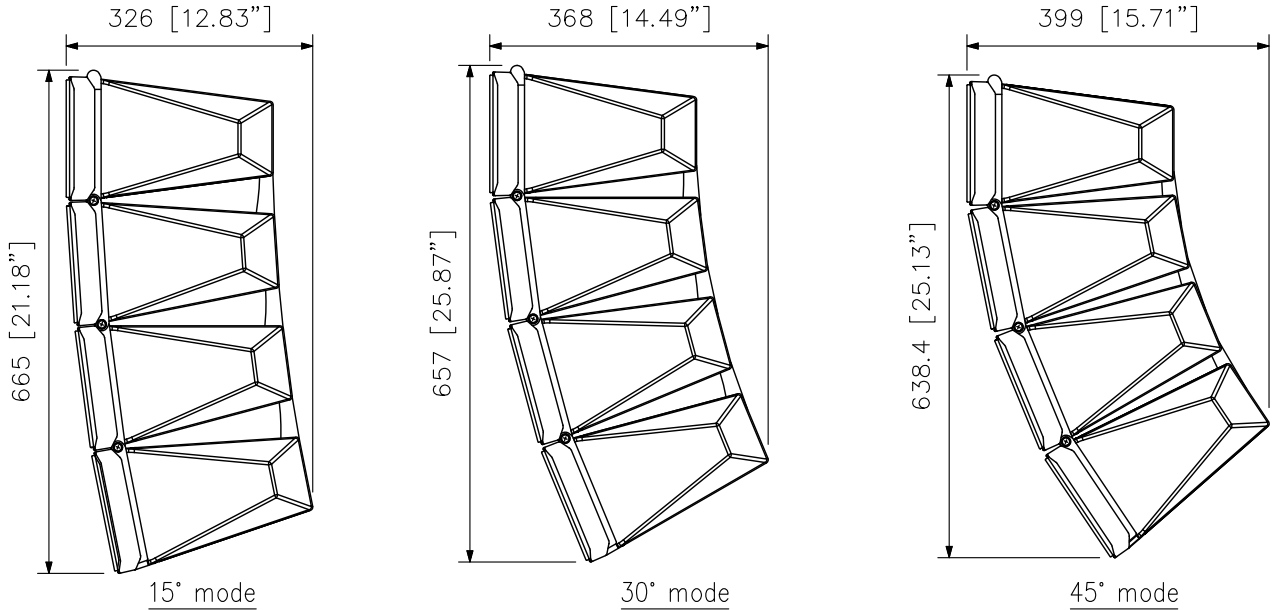


Rear View

UNIT: mm SCALE: 1/10

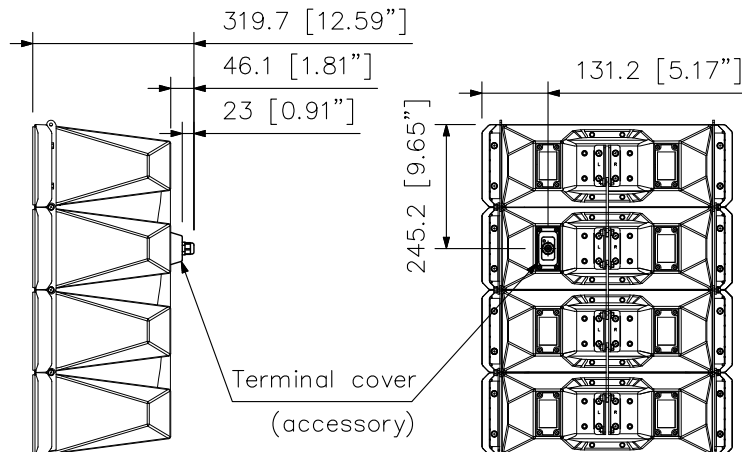
■ APPEARANCE

Example for directivity angle modes



Note:
To set the speaker angle mode to "60° mode," 3 pieces of the optional HY-60DB-WP Speaker Angle Brackets are required.

Terminal cover installation view
(scale: 1/15)



UNIT: mm SCALE: 1/10